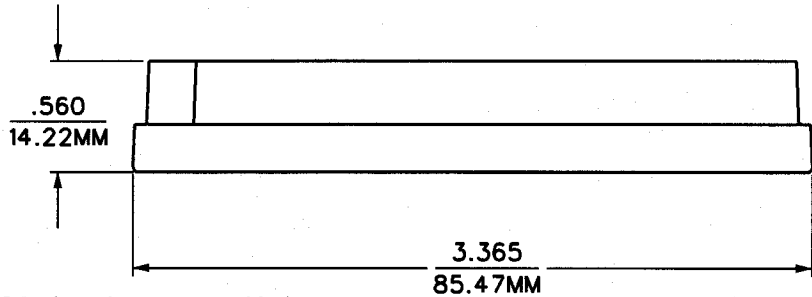
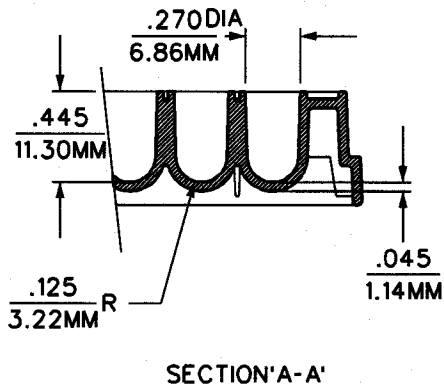
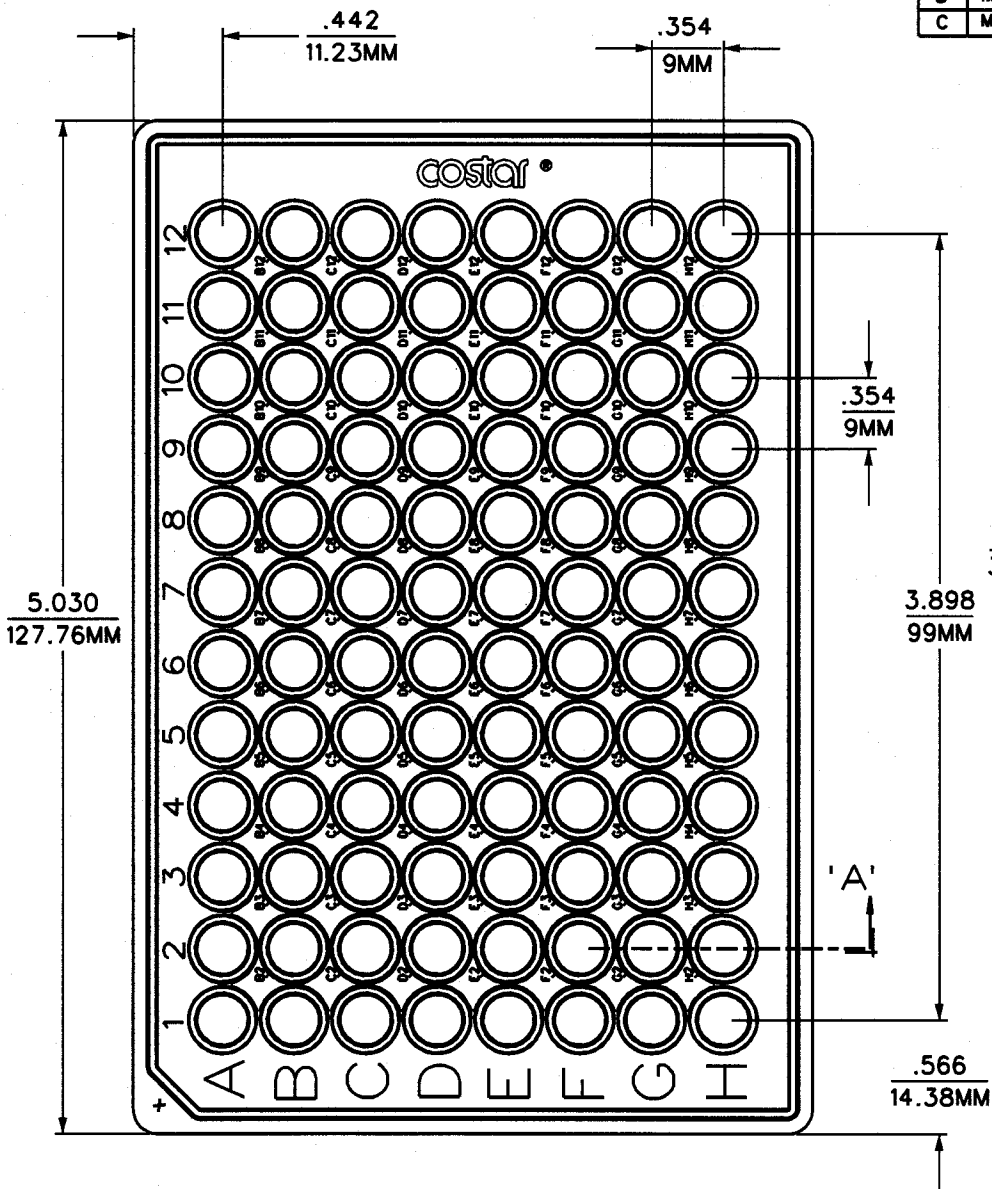


REVISIONS				
REV	DR	DESCRIPTION	DATE	APPROVED
A	MB	RELEASE PER CO*05439	12/18/97	EPB
B	MB	REVISED PER CO*06496	05/21/98	DG
C	MB	REVISED PER CO*07518	07/21/99	DM



NOTE:
1. REFER TO PRODUCT DESCRIPTION FOR ADDITIONAL PRODUCT INFORMATION.

COSTAR® is a registered trademark of Corning Incorporated

PROD CODE:144

Corning Incorporated
Science Products Division
45 Nagog Park
Acton, MA 01720

Tolerances: Unless otherwise specified dimensions are nominal for reference only

Drawn MB Date 12/11/97
Chkd EPB 12/11/97
Mat I SEE PROD DESCRIPTION
Customer Spec. Sht. 1 of 1

COSTAR®
96 WELL ROUND BOTTOM
PLATE, BASE W/O COVER
DWG00834 Rev C