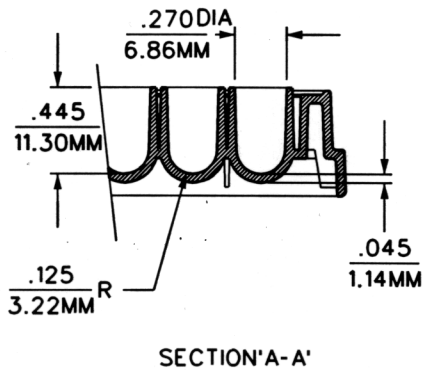
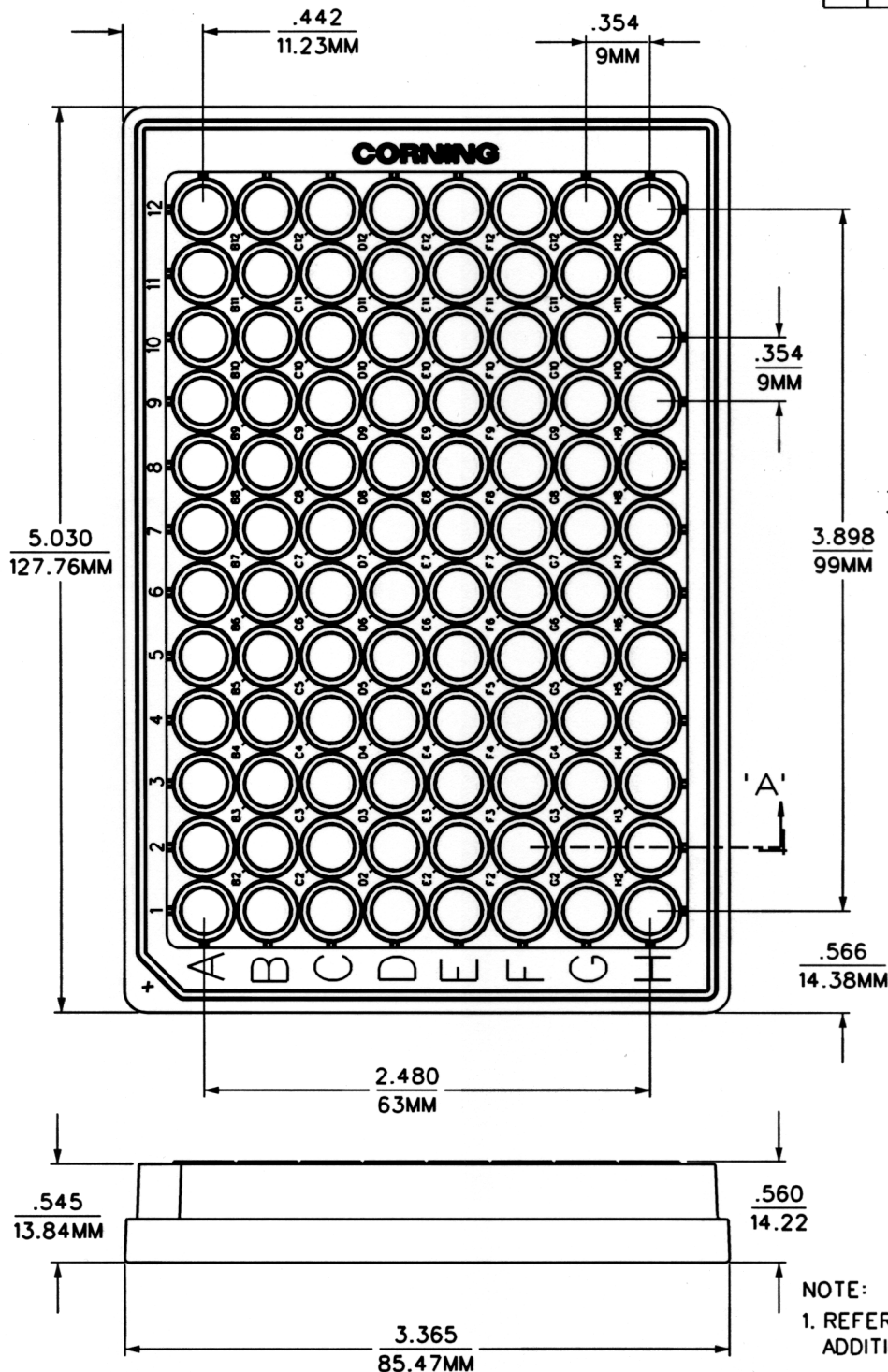


REVISIONS

REV	DR	DESCRIPTION	DATE	APPROVED
A	DAK	RELEASE PER CO*11343	4/19/1	HA



NOTE:
1. REFER TO PRODUCT DESCRIPTION FOR ADDITIONAL PRODUCT INFORMATION.

COSTAR® is a registered trademark of Corning Incorporated

PROD CODE:144

Corning Incorporated
Life Sciences
45 Nagog Park
Acton, MA 01720

Tolerances: Unless otherwise specified dimensions are nominal for reference only

Drawn DAK Date 3/15/1
Chkd HA 3/26/1
Mat ISEE PROD DESCRIPTION
Customer Spec. Sht. 1 of 1

96 WELL U-BOTTOM
CLEARPRO PLATE
BASE W/O COVER
DWG01381 Rev A