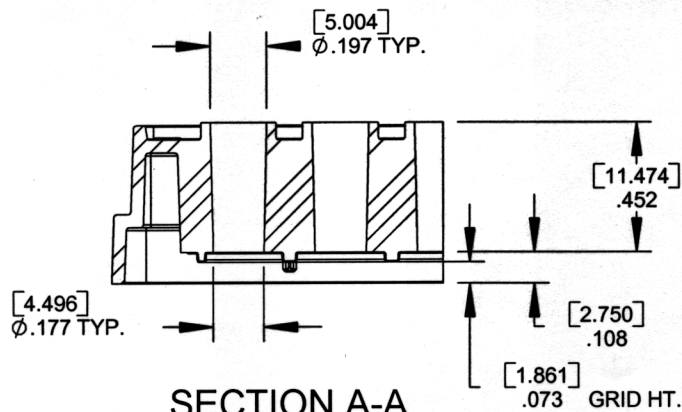
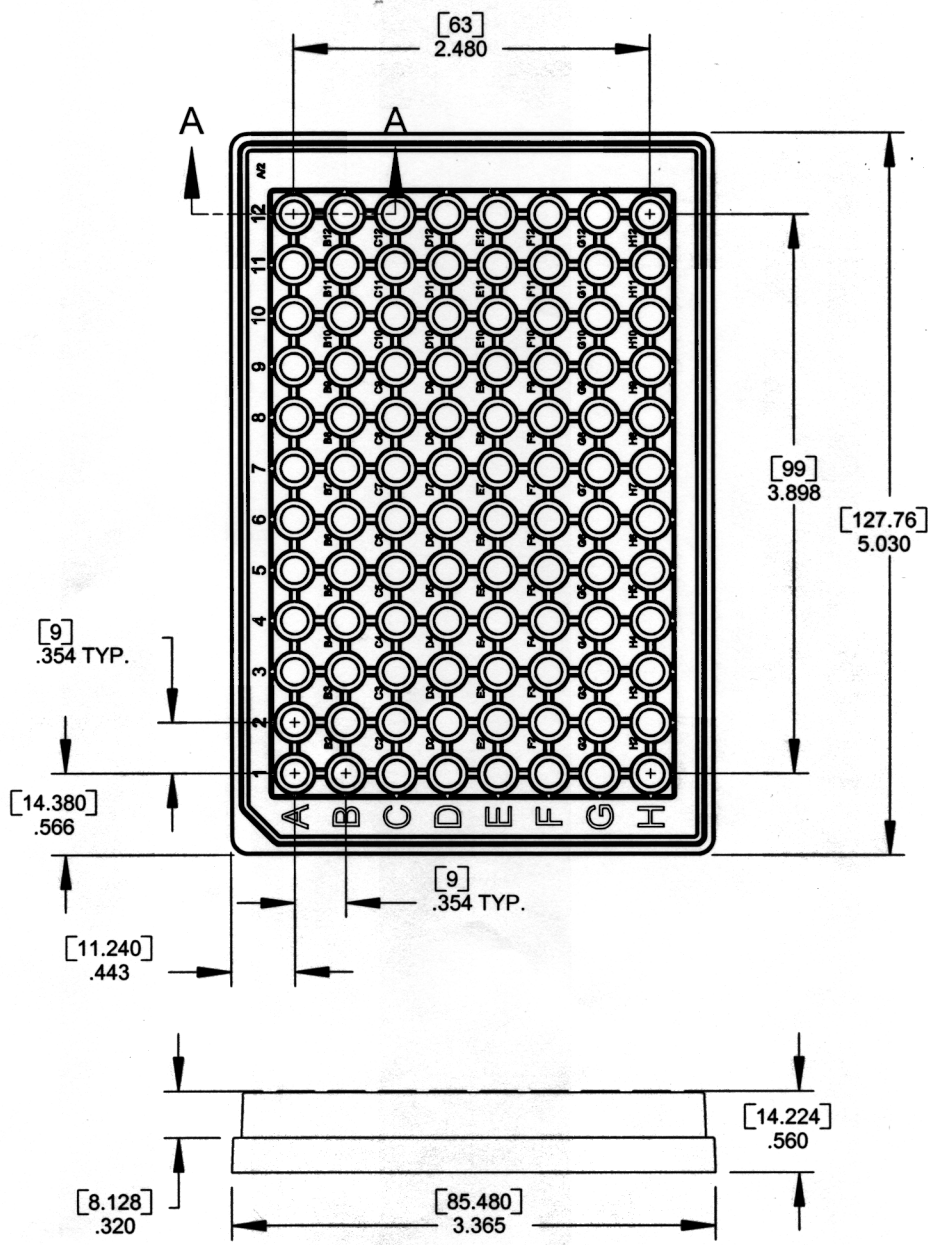


REVISIONS				
REV	DR	DESCRIPTION	DATE	APPRVD
A	DAK	RELEASED PER CO#13361	2/3/03	TE



SECTION A-A
SCALE 1.5 : 1

NOTES:
1. DIMENSIONS IN BRACKETS ARE IN MILLIMETERS
2. REFER TO PRODUCT DESCRIPTION FOR ADDITIONAL PRODUCT INFORMATION



CORNING

Life Sciences

45 Nagog Park
Acton, MA 01720

TOLERANCES - UNLESS SPECIFIED
DIMENSIONS ARE NOMINAL
FOR REFERENCE ONLY.

DRAWN CHKD MATL
PKS XXX XXX
DATE 4/18/02
X/XX/XX

96 WELL ASSAY PLATE
HALF AREA UV PLATE
WITHOUT COVER

CUSTOMER SPEC.

PROD CODE 144

SHEET 1 OF 1

DWG01469

REV A