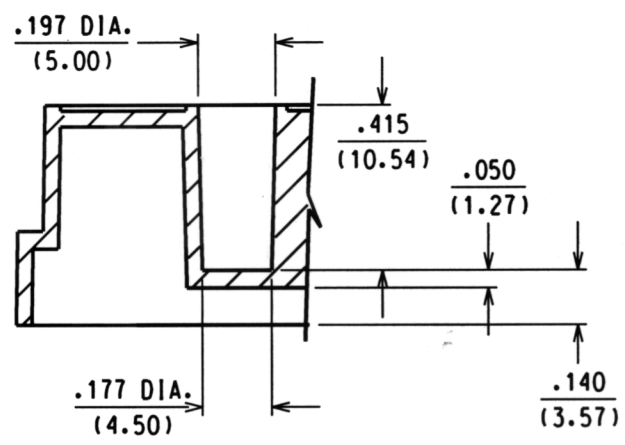


REVISIONS				
REV	DR	DESCRIPTION	DATE	APPROVED
A	MB	RELEASE PER CO#05144	06/06/97	LEP
B	MB	RELEASE PER CO# 05780 WAS 114-3696	10-15-97	LEP

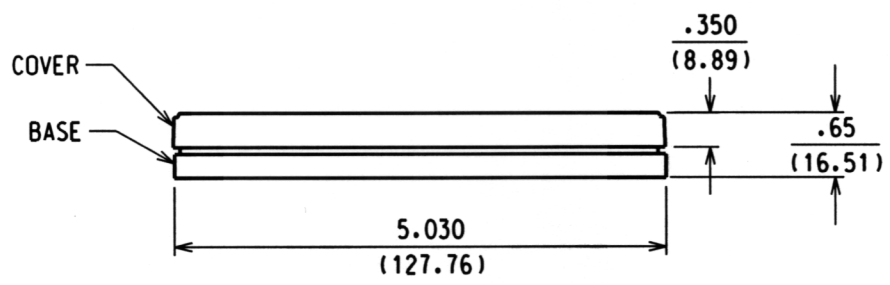
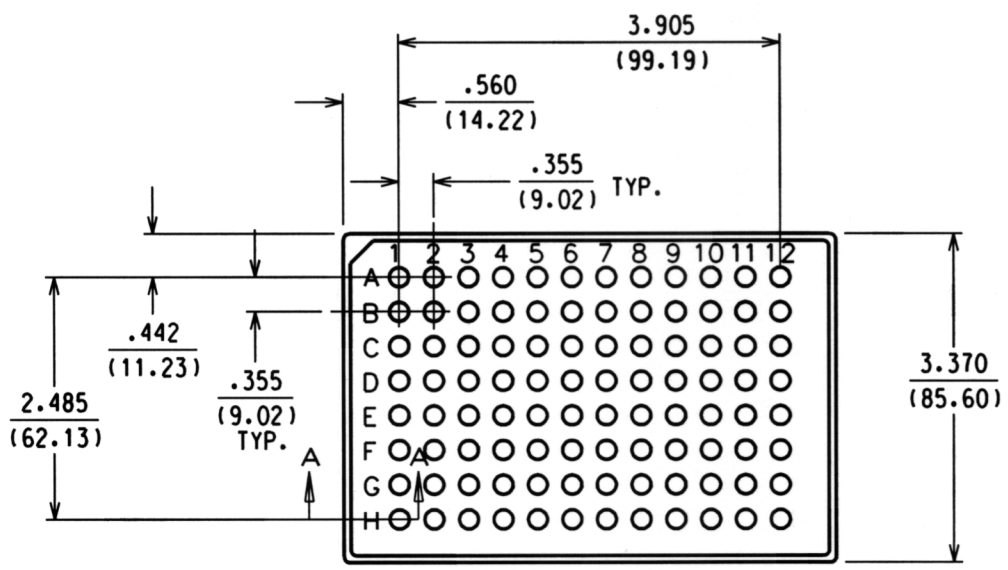


SECTION A-A
TYP. 96 PLCS.

NOTE:

1. Dimensions in parentheses are in millimeters.
2. Refer to product description for additional information.

Top view shown without cover



COSTAR® is a registered trademark of Corning Incorporated

PROD CODE:144

Corning Incorporated
Science Products Division
45 Nagog Park
Acton, MA 01720

Tolerances: Unless otherwise specified dimensions are nominal for reference only

Drawn CBL Date 10/03/96
Chkd LEP 03/25/97
Matl SEE PROD DESCRIPTION
Customer Spec. Sht. 1 of 1

COSTAR®
96 WELL HALF AREA W/
CORNER NOTCH & COVER
DWG00123 Rev B