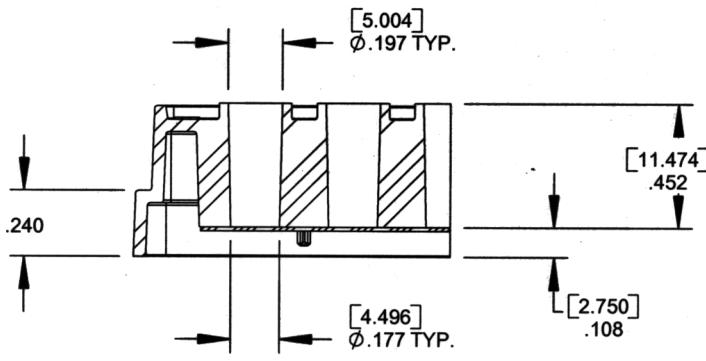
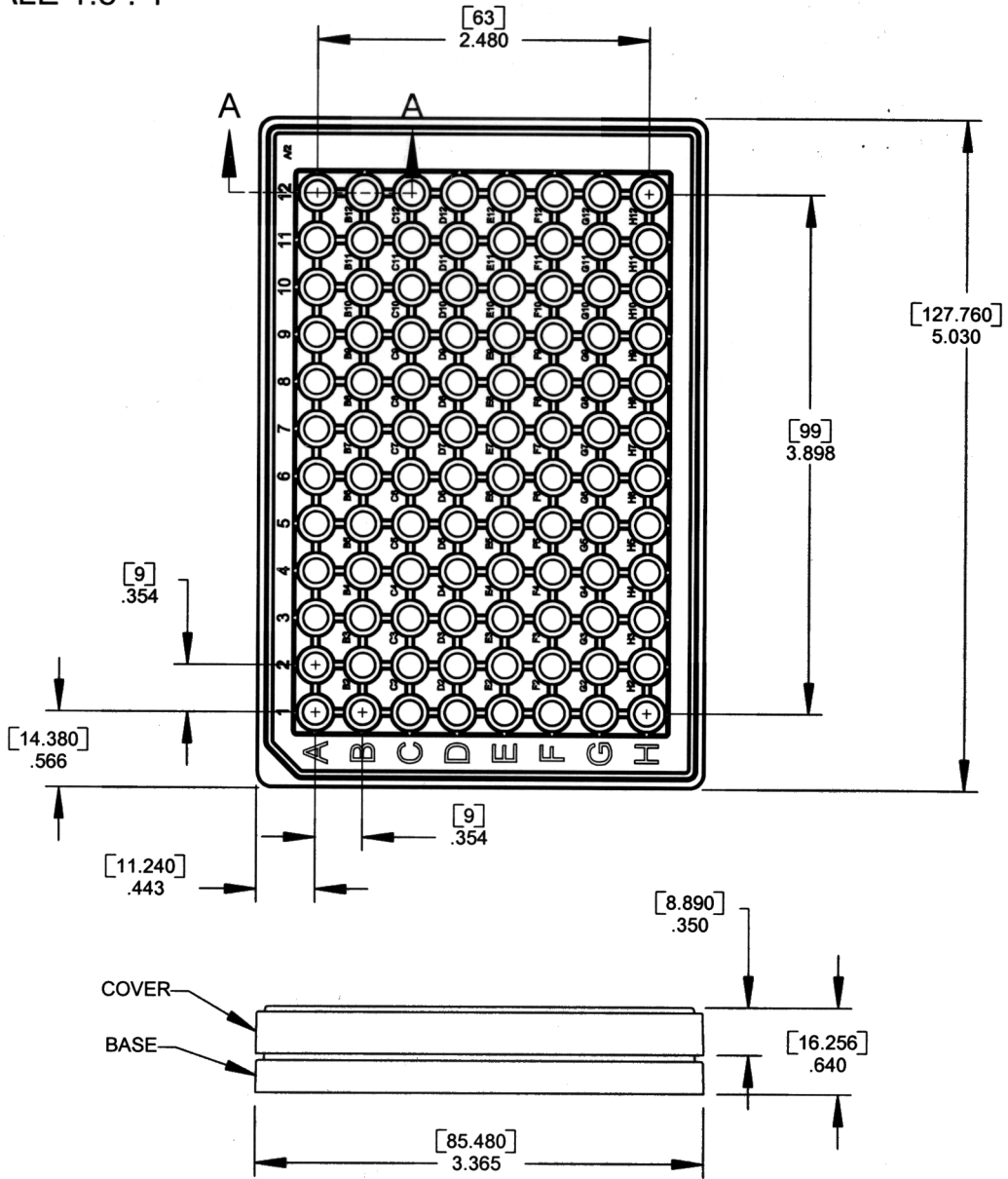


REVISIONS				
REV	DR	DESCRIPTION	DATE	APPRVD
A	DAK	RELEASED PER CO#13526	4/9/03	TE



SECTION A-A  
SCALE 1.5 : 1

- NOTES:  
 1. DIMENSIONS IN BRACKETS ARE IN MILLIMETERS  
 2. REFER TO PRODUCT DESCRIPTION FOR ADDITIONAL PRODUCT INFORMATION



**CORNING**  
 Life Sciences  
 45 Nagog Park  
 Acton, MA 01720

TOLERANCES - UNLESS SPECIFIED  
 DIMENSIONS ARE NOMINAL  
 FOR REFERENCE ONLY.

DRAWN PKS DATE 5/23/02  
 CHKD TE 4/9/03  
 MATL XXX

96 WELL ASSAY PLATE  
 HALF AREA CLEAR BOTTOM  
 WITH COVER

CUSTOMER SPEC.

PROD CODE 144

SHEET 1 OF 1

DWG01471

REV A