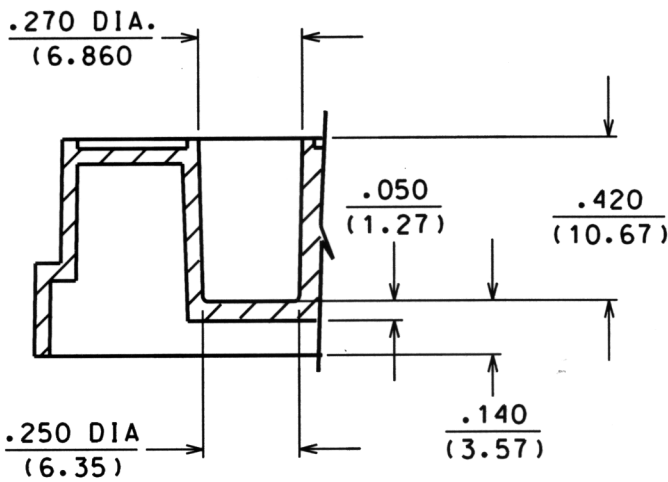


REVISIONS

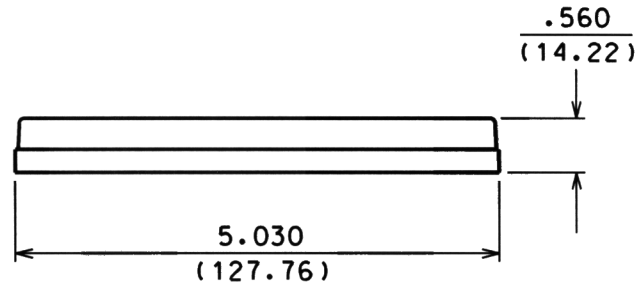
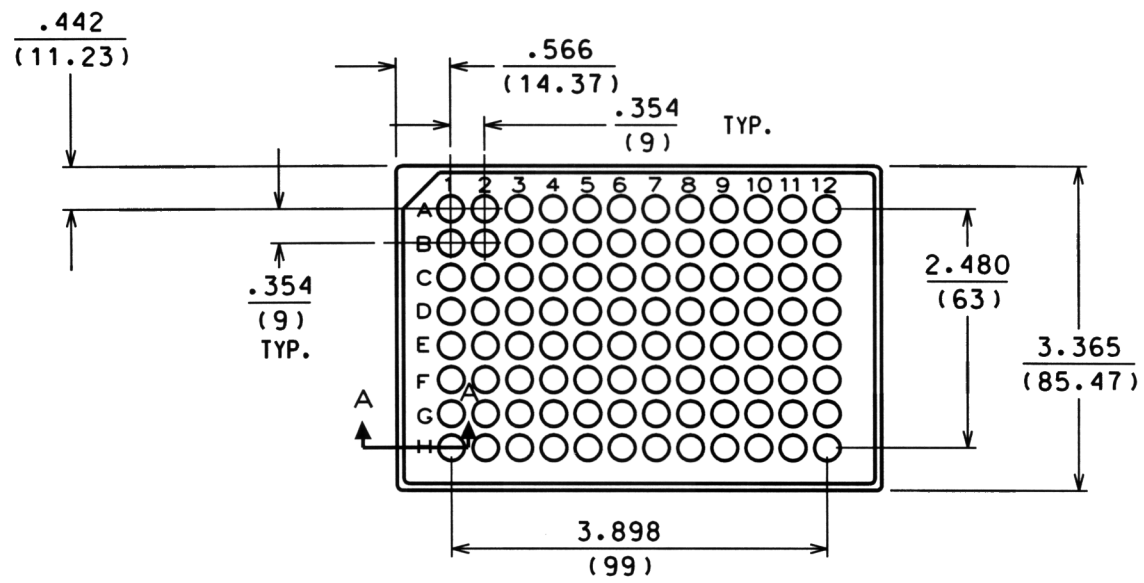
REV	DR	DESCRIPTION	DATE	APPROVED
A	MB	RELEASE PER CD#06067	01/14/98	DM



SECTION A-A  
TYP. 96 PLCS

NOTE:

1. Dimensions in parentheses are in millimeters.
2. Refer to product description for additional product information.



COSTAR® is a registered trademark of Corning Incorporated

Corning Incorporated  
Science Products Division  
45 Nagog Park  
Acton, MA 01720

Tolerances: Unless otherwise specified dimensions are nominal for reference only

Drawn LEP Date 10/09/97  
Chkd XXX 10/09/97  
Matl SEE PROD DESCRIPTION  
Customer Spec. Sht. 1 of 1

COSTAR®  
96 WELL FLAT BOTTOM  
CORNER NOTCH  
DWG00800 Rev A