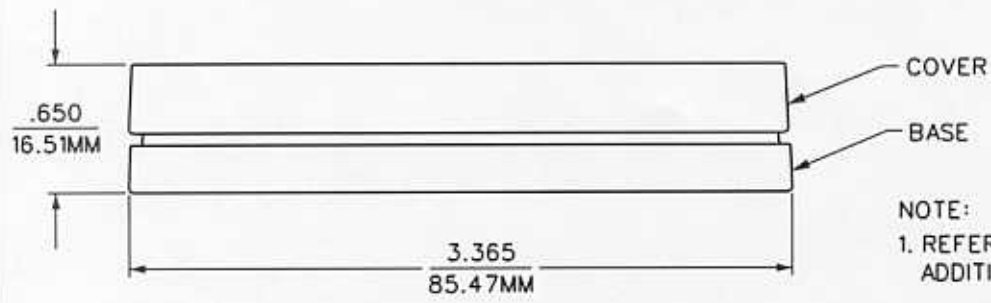
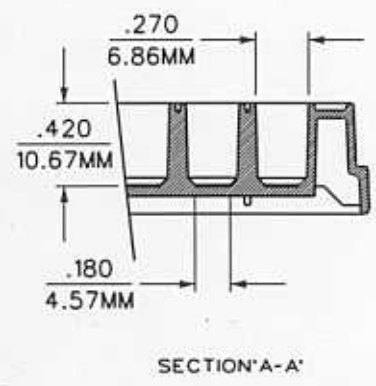
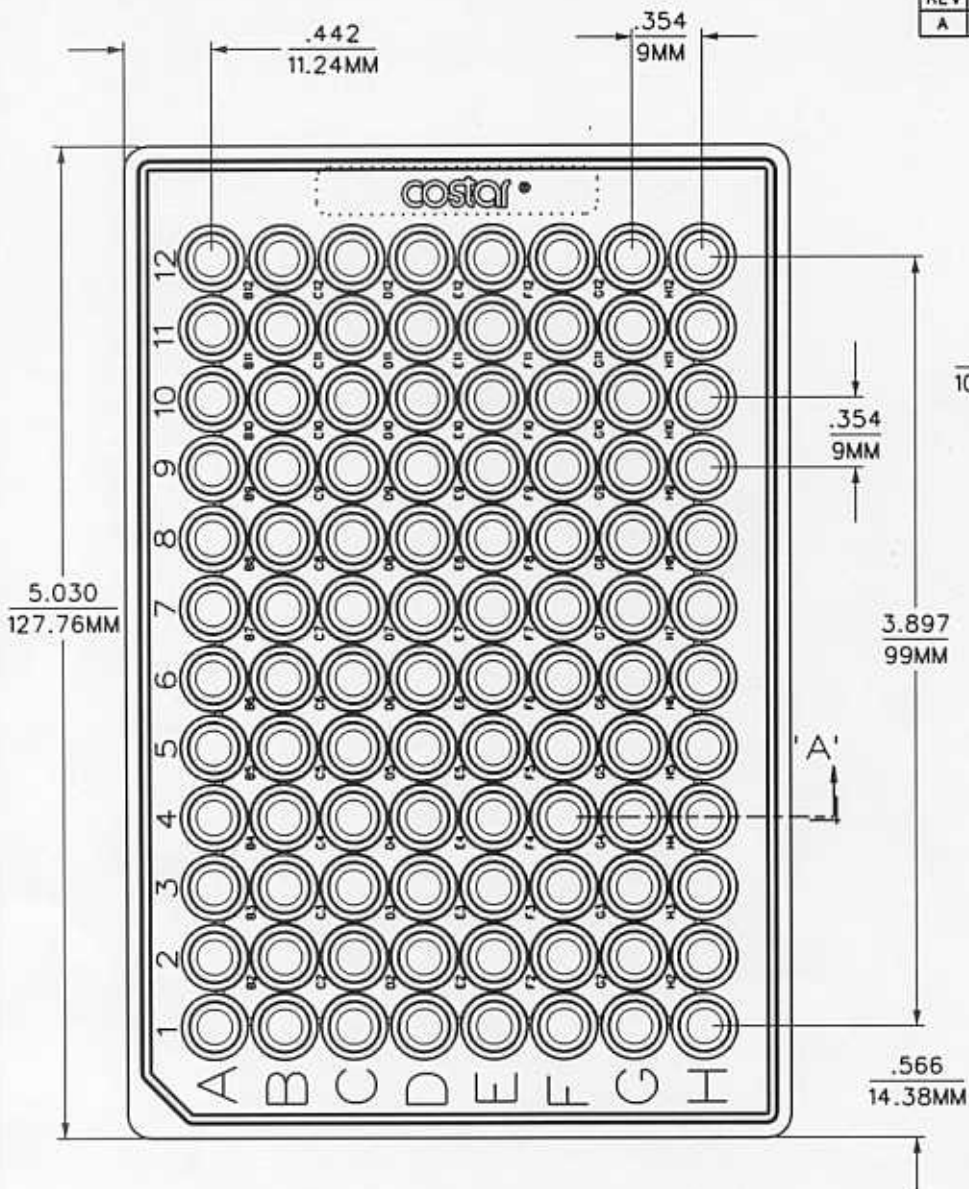


REVISIONS				
REV	DR	DESCRIPTION	DATE	APPROVED
A	MB	RELEASE PER CO*06308	04/21/98	TB



NOTE:
1. REFER TO PRODUCT DESCRIPTION FOR ADDITIONAL PRODUCT INFORMATION.

COSTAR® is a registered trademark of Corning Incorporated

PROD CODE:144

Corning Incorporated
Science Products Division
45 Nagog Park
Acton, MA 01720

Tolerances: Unless otherwise specified dimensions are nominal for reference only

Drawn MB Date 04/16/98
Chkd DM
Mat ISEE PROD DESCRIPTION
Customer Spec. Sht. 1 of 1

COSTAR®
96 WELL, EASY WASH PLT
NO SERRATIONS W/COVER
DWG01000 Rev A