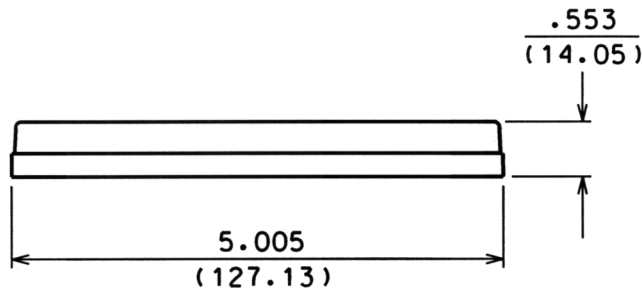
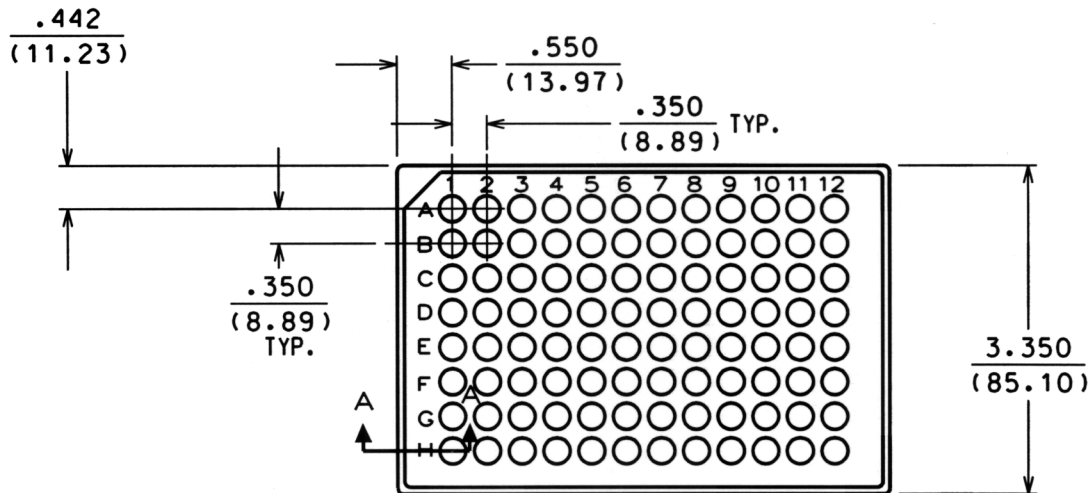


SECTION A-A
TYP 96 PLACES

REVISIONS				
REV	DR	DESCRIPTION	DATE	APPROVED
A	MB	RELEASE PER CO#07347	05/14/99	DM

NOTE:

1. Dimensions in parentheses are in millimeters.
2. Refer to product description for additional product information.



COSTAR® is a registered trademark of Corning Incorporated

PROD CODE:144

Corning Incorporated
Science Products Division
45 Nagog Park
Acton, MA 01720

Tolerances: Unless
otherwise specified
dimensions are nominal
for reference only

Drawn MB Date 04/22/99
Chkd
Matl SEE PROD DESCRIPTION
Customer Spec. Sht. 1 of 1

COSTAR®
96 WELL CLEAR BOTTOM
PP PLATE
DWG00950 Rev A