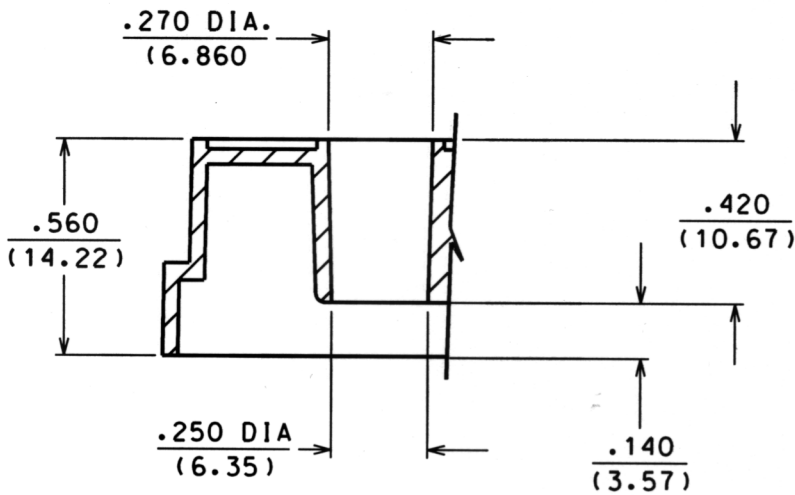


REVISIONS

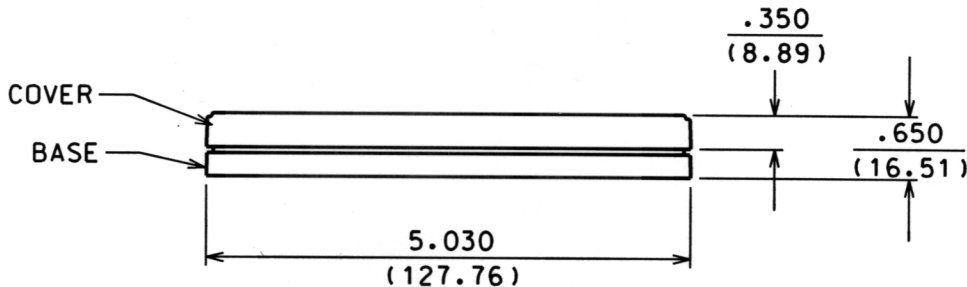
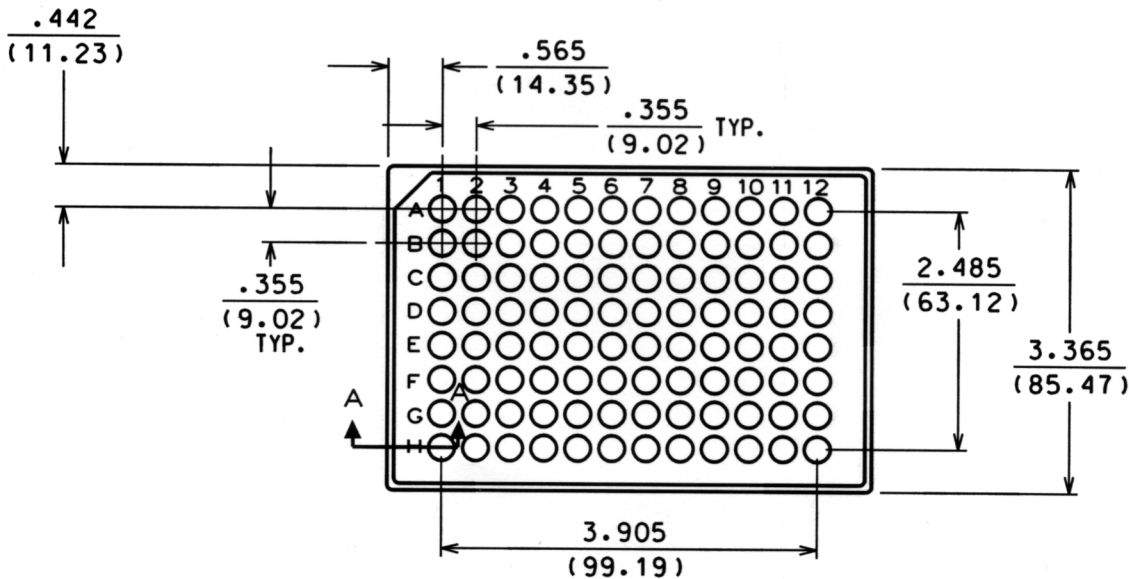
REV	DR	DESCRIPTION	DATE	APPROVED
A	LEP	RELEASE PER CO#05680	08/18/97	L.PALMER
B	MB	REVISED PER CO# 05780 WAS 144-3603	10-15-97	LEP
C	MB	REVISED PER CO# 06615	07-23-98	DM



SECTION A-A  
TYP 96 PLACES

NOTE:

1. Dimensions in parentheses are in millimeters.
2. Refer to product description for additional product information.



COSTAR® is a registered trademark of Corning Incorporated

PROD CODE:144

Corning Incorporated  
Science Products Division  
45 Nagog Park  
Acton, MA 01720

Tolerances: Unless  
otherwise specified  
dimensions are nominal  
for reference only

Drawn LEP Date 08/18/97  
Chkd L.PALMER 08/18/97  
Matl SEE PRODUCT DESC.  
Customer Spec. | Shf. 1 of 1

COSTAR®  
96 WELL W/ COVER  
HOLEY PLATE  
DWG00678 Rev C