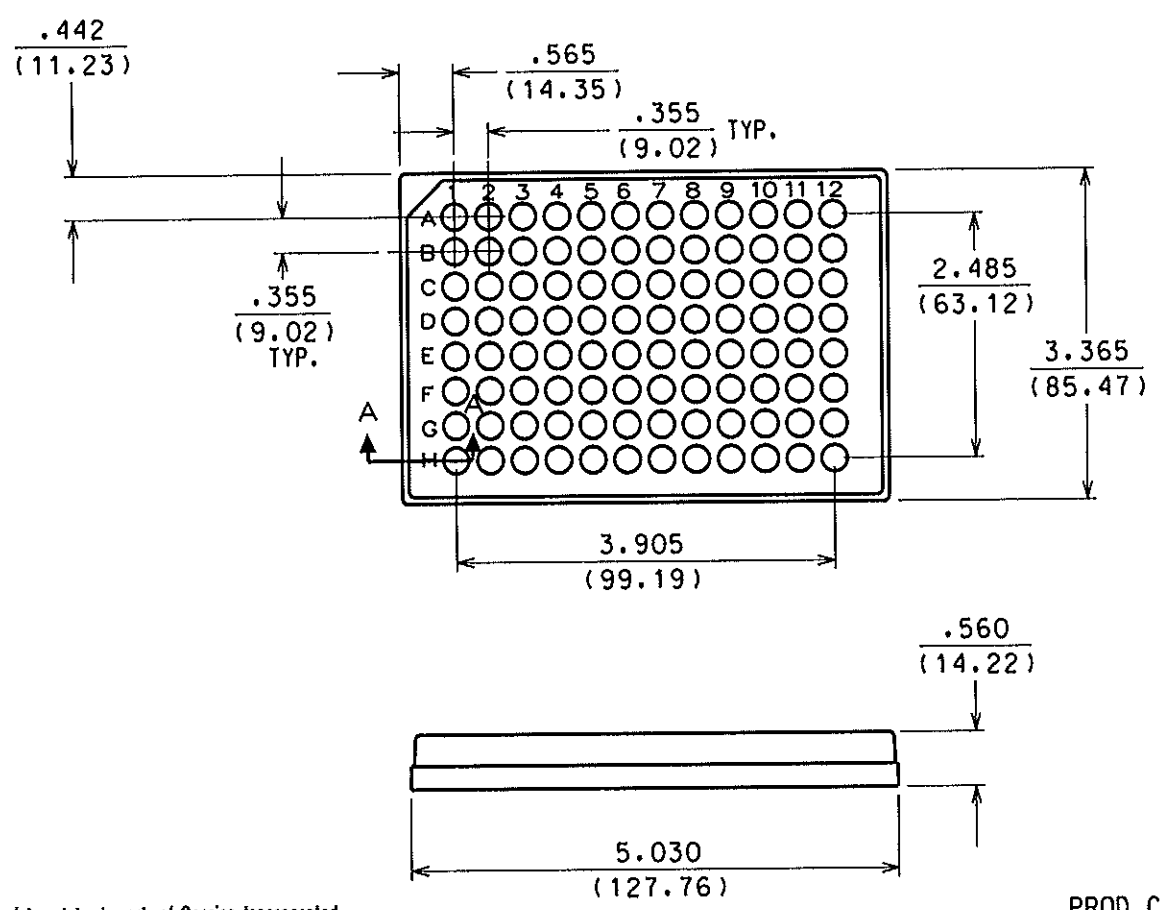


| REVISIONS |    |                                    |          |          |
|-----------|----|------------------------------------|----------|----------|
| REV       | DR | DESCRIPTION                        | DATE     | APPROVED |
| A         | MB | RELEASE PER CD#05264               | 05/02/97 | LEP      |
| B         | MB | RELEASE PER CD# 05780 WAS 144-3601 | 10-15-97 | LEP      |
| C         | MB | REVISE PER CD#06615                | 07-23-98 | DM       |

- NOTE:
1. Dimensions in parentheses are in millimeters.
  2. Refer to product description for additional product information.

SECTION A-A  
TYP 96 PLACES



COSTAR® is a registered trademark of Corning Incorporated

PROD CODE:144

|   |   |  |                                   |
|---|---|--|-----------------------------------|
| Corning Incorporated<br>Science Products Division<br>45 Nagog Park<br>Acton, MA 01720 | Tolerances: Unless<br>otherwise specified<br>dimensions are nominal<br>for reference only | Drawn MB Date 04/10/97<br>Chkd LEP 04/10/97<br>Motl SEE PROD DESCRIPTION | COSTAR®<br>96 WELL HOLEY<br>PLATE |
|   |   | Customer Spec. Sh't. 1 of 1  | DWG00121 Rev C                    |