

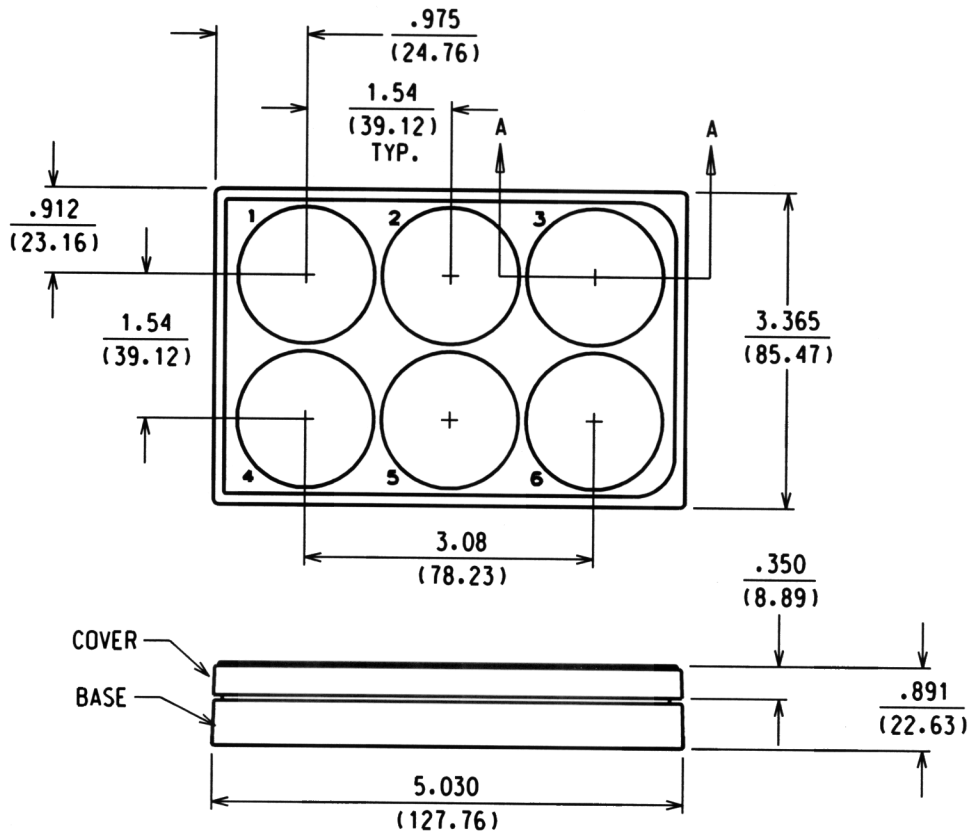
SECTION A-A
TYP. 96 PLCS

REVISIONS				
REV	DR	DESCRIPTION	DATE	APPROVED
A	MB	RELEASE PER CD#05144	06/06/97	LEP
B	MB	REVISED PER CD# 05780 WAS 144-3506	10-15-97	LEP
C	DAK	REVISED PER CD#07780	2-24-00	BH

NOTE:

1. Dimensions in parentheses are in millimeters.
2. Refer to product description for additional product information.

Top view shown without cover



COSTAR® is a registered trademark of Corning Incorporated

PROD CODE:144

Corning Incorporated
Science Products Division
45 Nagog Park
Acton, MA 01720

Tolerances: Unless
otherwise specified
dimensions are nominal
for reference only

Drawn CBL Date 10/03/96
Chkd LEP 03/25/97
Matl SEE PROD DESCRIPTION
Customer Spec. Sht. 1 of 1

COSTAR®
6 WELL PLATE
WITH COVER

DWG00673 Rev C