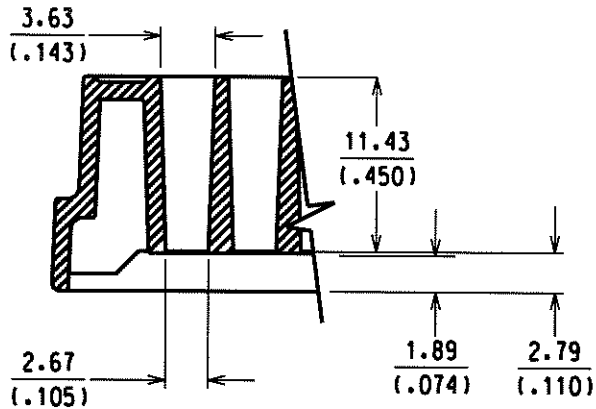


REVISIONS

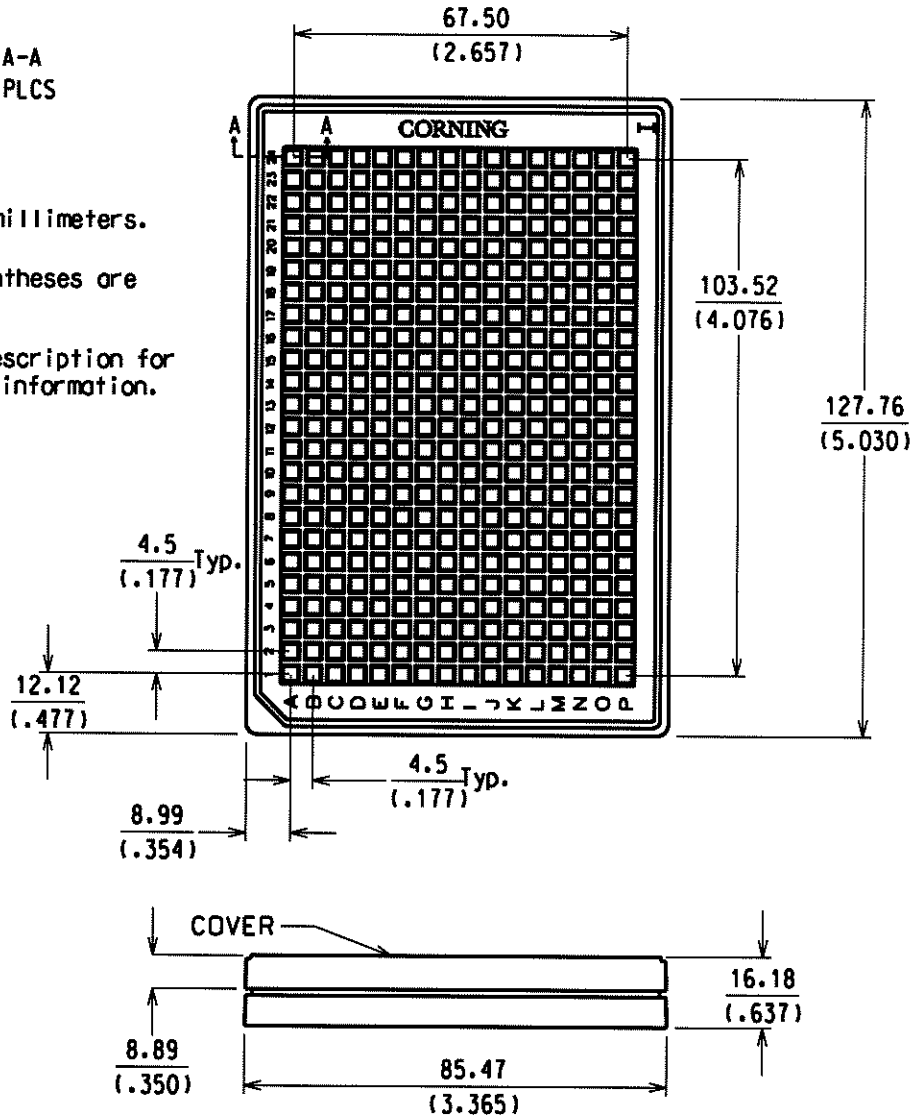
REV	DR	DESCRIPTION	DATE	APPROVED
A	DAK	RELEASE PER CD#13925	8/27/03	JG



SECTION A-A  
TYP. 384 PLCS

NOTES:

1. Dimensions are in millimeters.
2. Dimensions in parentheses are in inches.
3. Refer to product description for additional product information.



COSTAR® is a registered trademark of Corning Incorporated

PROD CODE:144

Corning Incorporated  
Science Products Division  
45 Nagog Park  
Acton, MA 01720

Tolerances: Unless otherwise specified dimensions are nominal for reference only

Drawn DAK Date 8/11/03  
Chkd JG 8/27/03  
Matl SEE PROD.DESCRPTION  
Customer Spec. Sht. 1 of 1

CORNING  
384 WELL ASSY PLATE  
CLR 0.9mm BTM WITH COVER  
DWG01656 Rev A