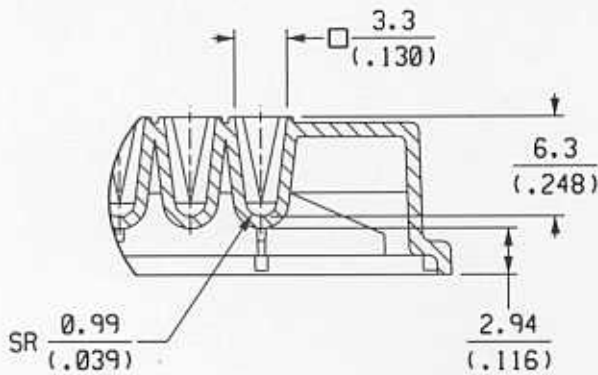


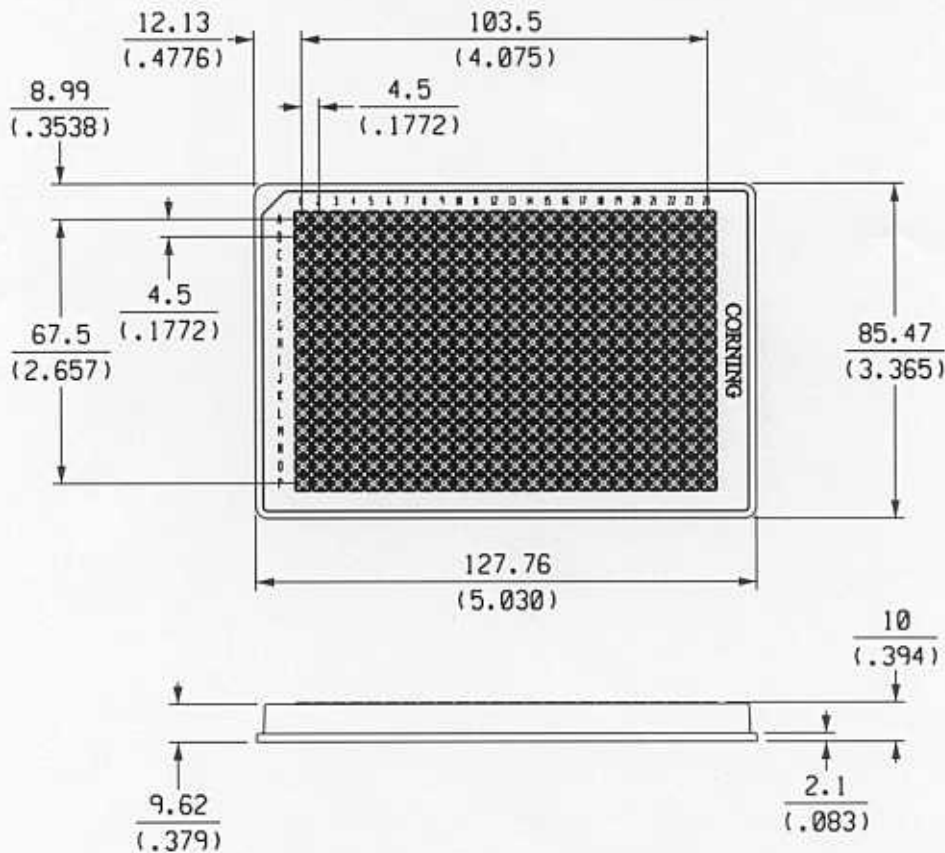
REVISIONS

REV	DR	DESCRIPTION	DATE	APPROVED
A	DAK	RELEASED PER CD#13833	11/5/03	BL



NOTES:

1. DIMENSIONS ARE IN MILLIMETERS.
2. DIMENSIONS IN PARENTHESIS ARE IN INCHES.
3. REFER TO PRODUCT DESCRIPTION FOR FURTHER PRODUCT INFORMATION.



COSTAR® is a registered trademark of Corning Incorporated

PROD CODE: 144

Corning Incorporated  
Life Sciences

45 Nagog Park, Acton, MA 01720  
2 Alfred Road, Kennebunk, ME 04043

Tolerances: Unless otherwise specified dimensions are nominal for reference only

Drawn DAK Date 11/5/03  
Chkd BL 11/5/03  
Matl SEE PROD DESCRIPTION  
Customer Spec. Sht. 1 of 1

384 WELL PLATE  
LOW VOLUME  
LOW PROFILE

DWG01731 Rev A