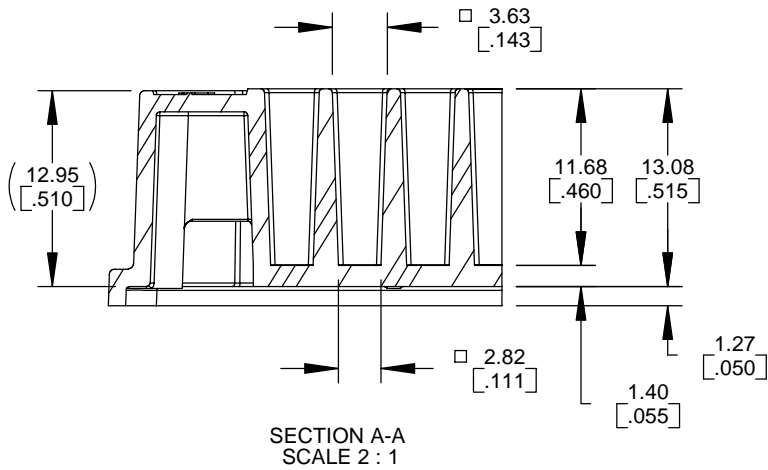
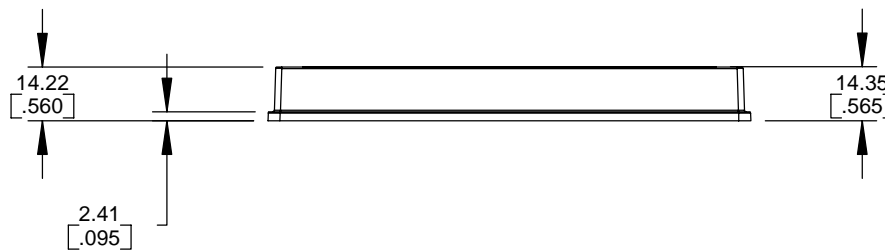
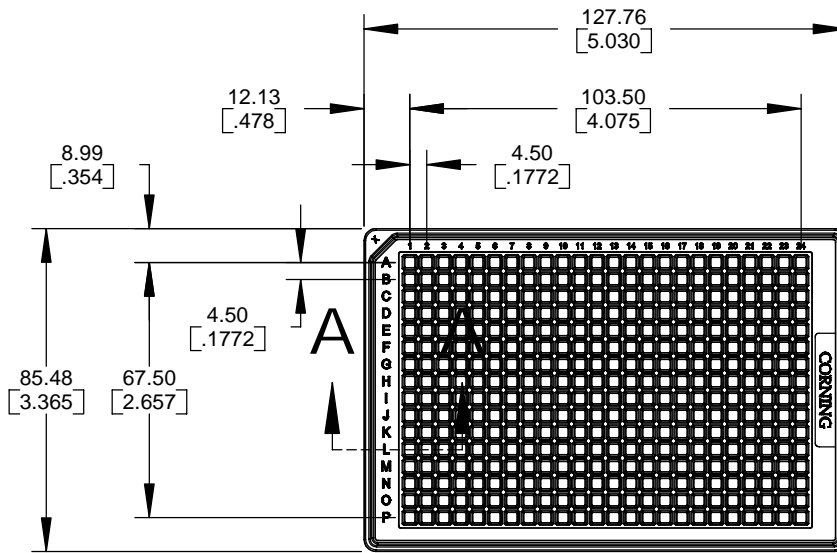


REVISIONS				
REV.	DR	DESCRIPTION	DATE	APPRVD
A	DAK	RELEASED PER CO16658	__-__-__	__



NOTES:

1. DIMENSIONS ARE IN MILLIMETERS.
2. DIMENSIONS IN PARENTHESIS ARE IN INCHES.
3. REFER TO PRODUCT DESCRIPTION FOR FURTHER PRODUCT INFORMATION.
4. PLATE HEIGHT FOR ONE PLATE IS 14.35mm, FOR EACH ADDITIONAL PLATE ADD 12.95mm TO CALCULATE STACK HEIGHT.



**PRELIMINARY**

**CORNING**

Life Sciences

45 Nagog Park  
Acton, MA 01720

TOLERANCES - UNLESS SPECIFIED  
DIMENSIONS ARE NOMINAL  
FOR REFERENCE ONLY.

CUSTOMER SPEC.

DRAWN DAK DATE 2/7/06  
CHKD \_\_\_\_\_  
MATL SEE PRODUCT DESCRIPTION

PROD CODE 144

SHEET 1 OF 1

PLATE, 384 WELL  
SQ. TO SQ., FLAT BOTTOM  
LOW FLANGE

DWG02015

REV A