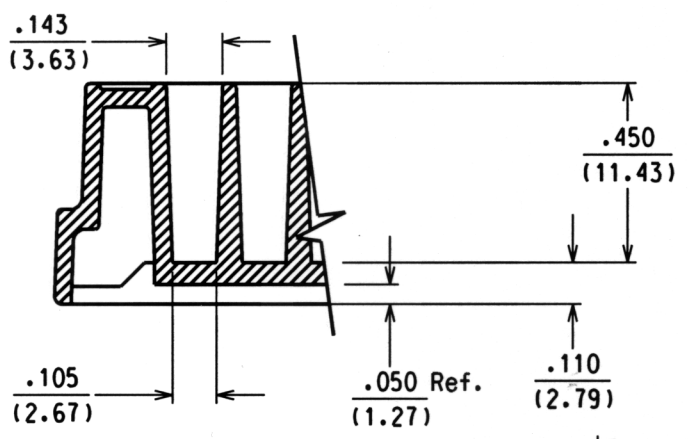


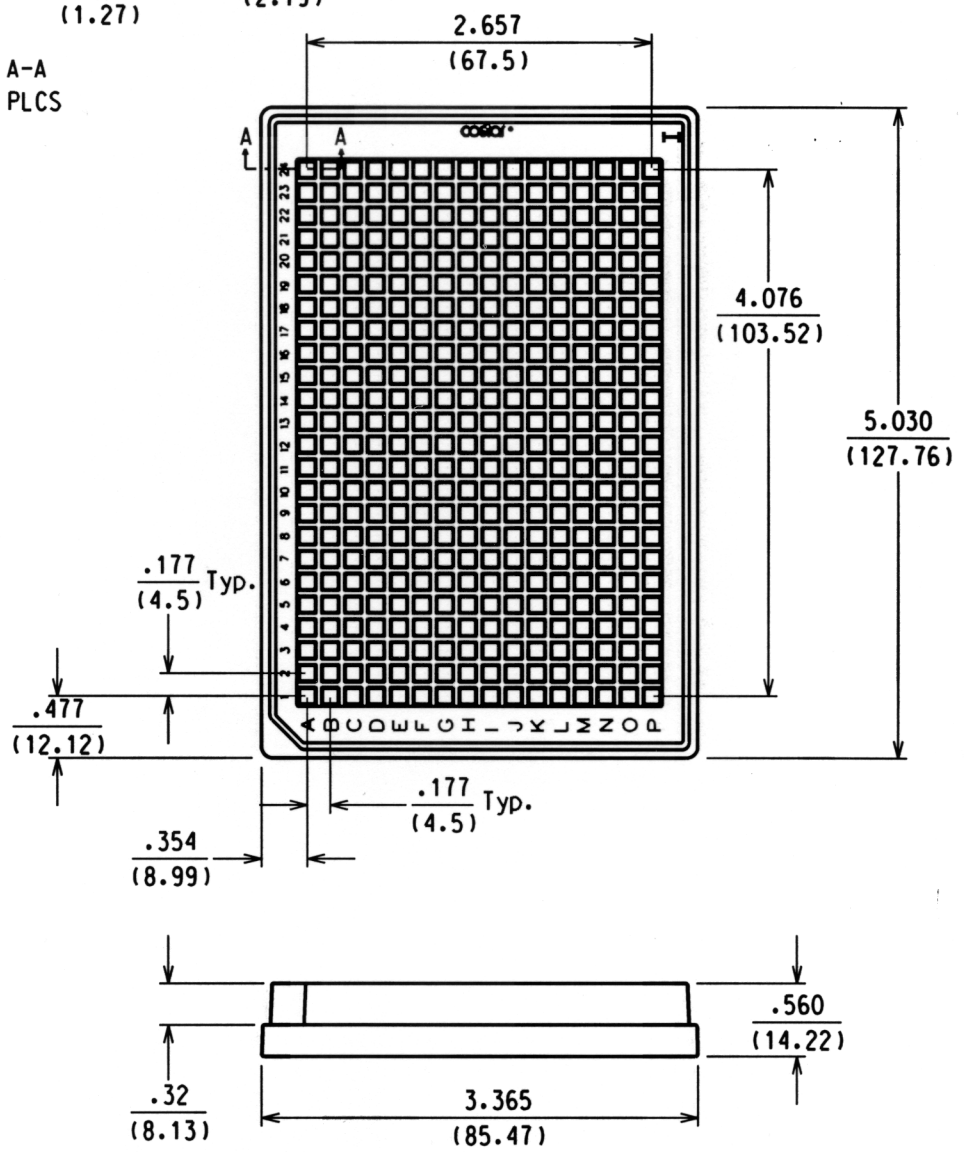
REVISIONS				
REV	DR	DESCRIPTION	DATE	APPROVED
A	MB	RELEASE PER CO#05546	08/04/97	LEP
B	MB	REVISED PER CO# 05780 WAS 144-3700	10-15-97	LEP
C	MB	REVISED PER CO#06571	06/23/98	DM
D	MB	REVISED PER CO#07174	03/17/99	JAB



SECTION A-A
TYP. 384 PLCS

NOTE:

1. Dimensions in parentheses are in millimeters.
2. Refer to product description for additional product information.



COSTAR® is a registered trademark of Corning Incorporated

PROD CODE:144

Corning Incorporated
Science Products Division
45 Nagog Park
Acton, MA 01720

Tolerances: Unless otherwise specified dimensions are nominal for reference only

Drawn CBL Date 3/3/97
Chkd LEP 3/4/97
Matl SEE PROD.DESCRPTION
Customer Spec. Sht. 1 of 1

COSTAR®
384 WELL ASSAY PLATE
WITHOUT COVER
DWG00679 Rev D