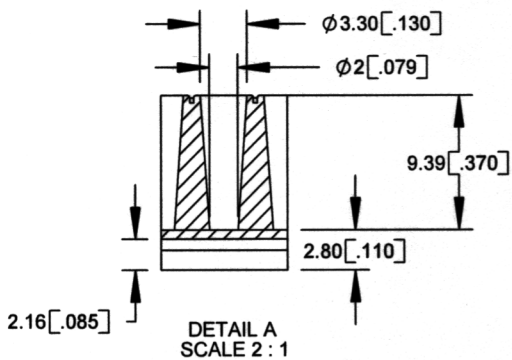
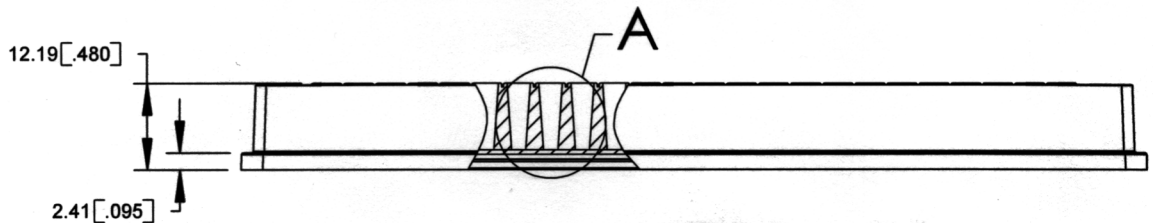
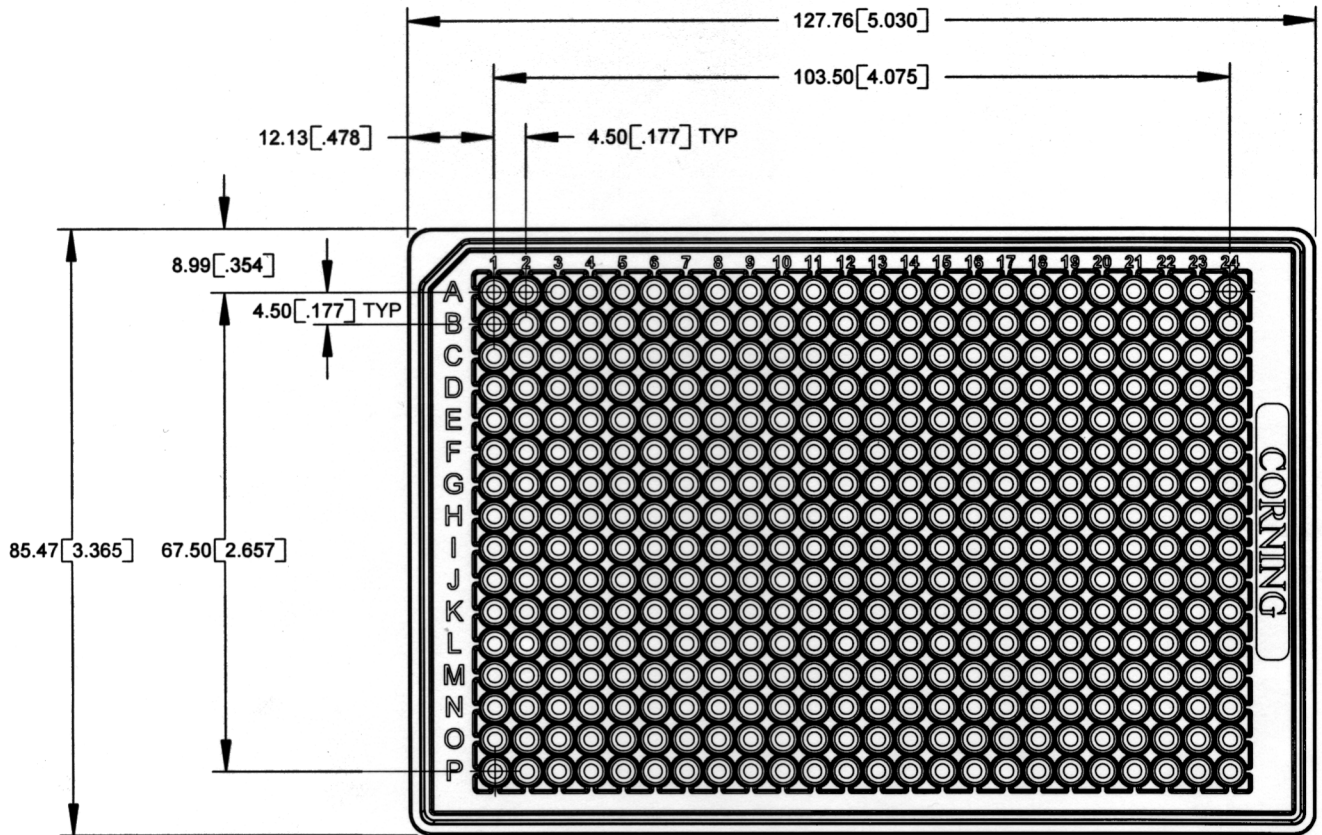


REVISIONS				
REV	DR	DESCRIPTION	DATE	APPRVD
1	KYB	PRE-RELEASE DRAFT	05/04/04	xxx



NOTES:

1. DIMENSIONS ARE MILLIMETERS, BRACKETED DIMENSIONS ARE INCHES.
2. SEE PRODUCT SPECIFICATION SHEET FOR ADDITIONAL INFORMATION.

CORNING

Life Sciences

45 Nagog Park
Acton, MA 01720

TOLERANCES - UNLESS SPECIFIED
DIMENSIONS ARE NOMINAL
FOR REFERENCE ONLY.

DRAWN KYB DATE 05/04/04
CHKD XXX XXX/XX
MATL SEE PRODUCT SPECIFICATION

**384 WELL LOW VOLUME,
CLEAR BOTTOM PLATE**

CUSTOMER SPEC.

PROD CODE 144

SHEET 1 OF 1

DWG 01848

REV 1