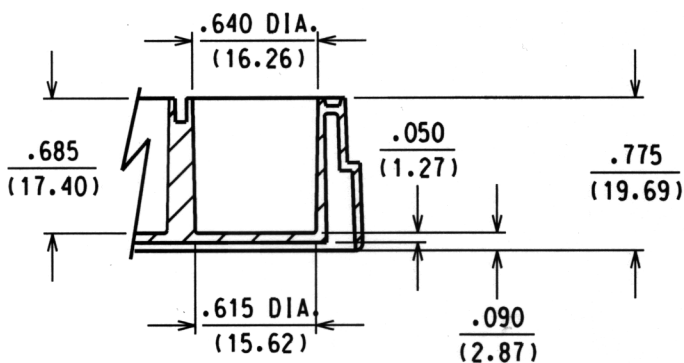


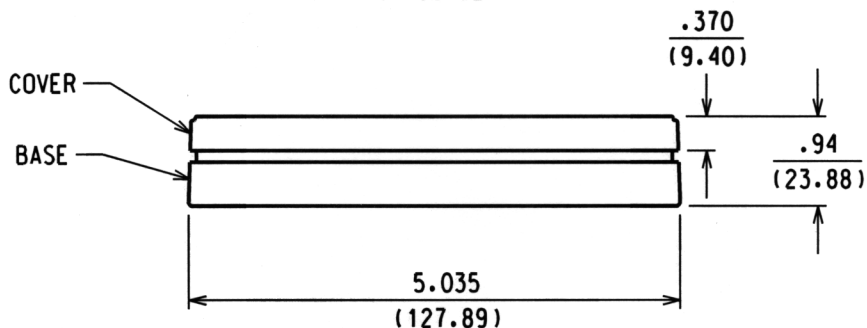
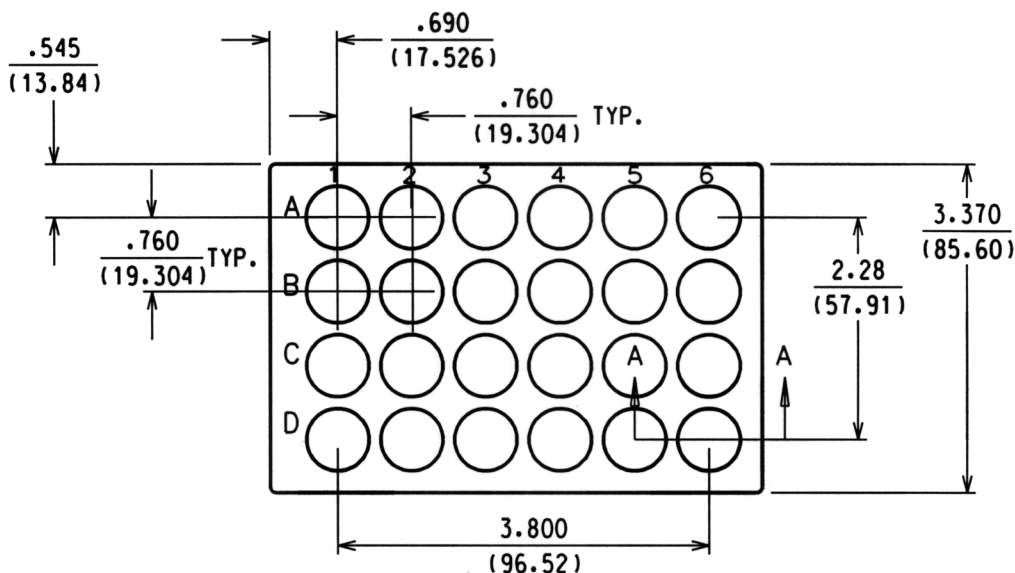
REVISIONS

REV	DR	DESCRIPTION	DATE	APPROVED
A	LEP	RELEASE PER CO#05680	08/15/97	LEP
B	MB	REVISED PER CO# 05763	10-23-97	LEP
C	MB	REVISED PER CO# 05780 WAS 144-3524	10-24-97	LEP



SECTION A-A  
TYP. 24 PLCS

Top view shown without cover



NOTE:

1. Dimensions in parentheses are in millimeters.
2. Refer to product description for additional information.

PROD CODE:14