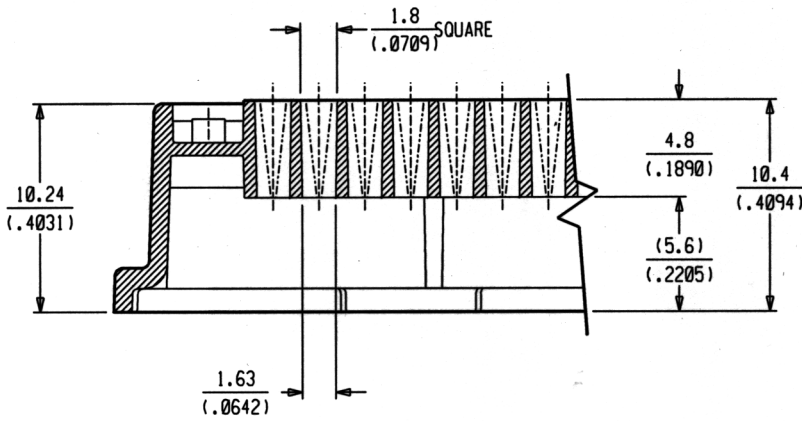


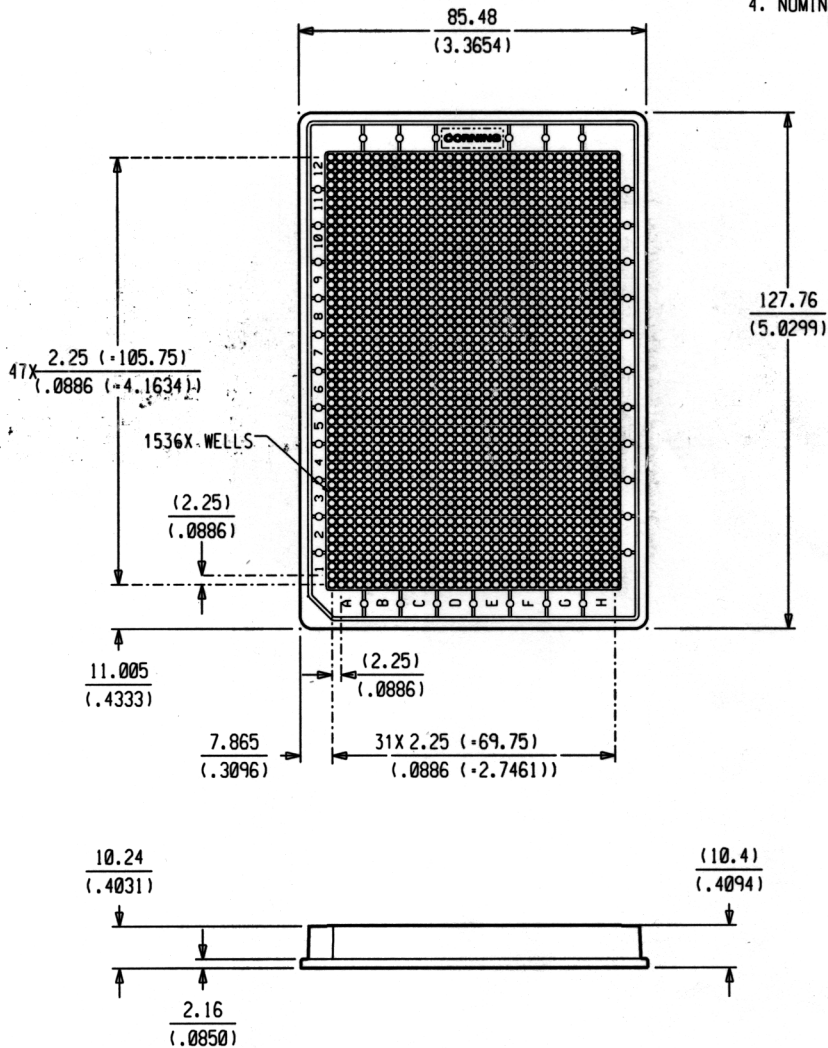
REVISIONS

REV	DR	DESCRIPTION	DATE	APPROVED
A	DAK	RELEASED PER C014653	4/20/04	BL



NOTES:

1. DIMENSIONS ARE IN MILLIMETERS.
2. DIMENSIONS IN PARENTHESIS ARE IN INCHES.
3. REFER TO PRODUCT DESCRIPTION FOR FURTHER PRODUCT INFORMATION.
4. NOMINAL WELL VOLUME: 13µL
WORKING VOLUME: 8µL



COSTAR® is a registered trademark of Corning Incorporated

PROD CODE: 144

Corning Incorporated
Life Sciences

45 Nagog Park, Acton, MA 01720
2 Alfred Road, Kennebunk, ME 04043

Tolerances: Unless otherwise specified dimensions are nominal for reference only

Drawn DAK Date 10/18/02
Chkd BL 4/20/04
Matl SEE PROD DESCRIPTION
Customer Spec. Sht. 1 of 1

1536 WELL
INSERT MOLDED PLATE
HIGH BASE, LOW PROFILE
DWG01543 Rev A