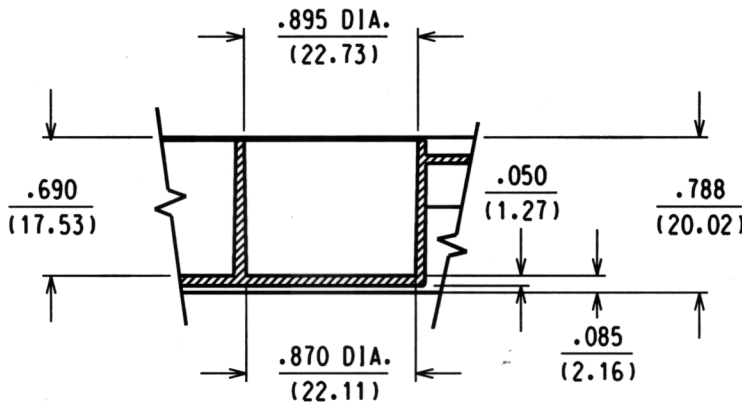


REVISIONS

REV	DR	DESCRIPTION	DATE	APPROVED
A	LEP	RELEASE PER CO#05680	08/15/97	LEP
B	MB	REVISED PER CO# 05780 WAS 144-3512	10-15-97	LEP

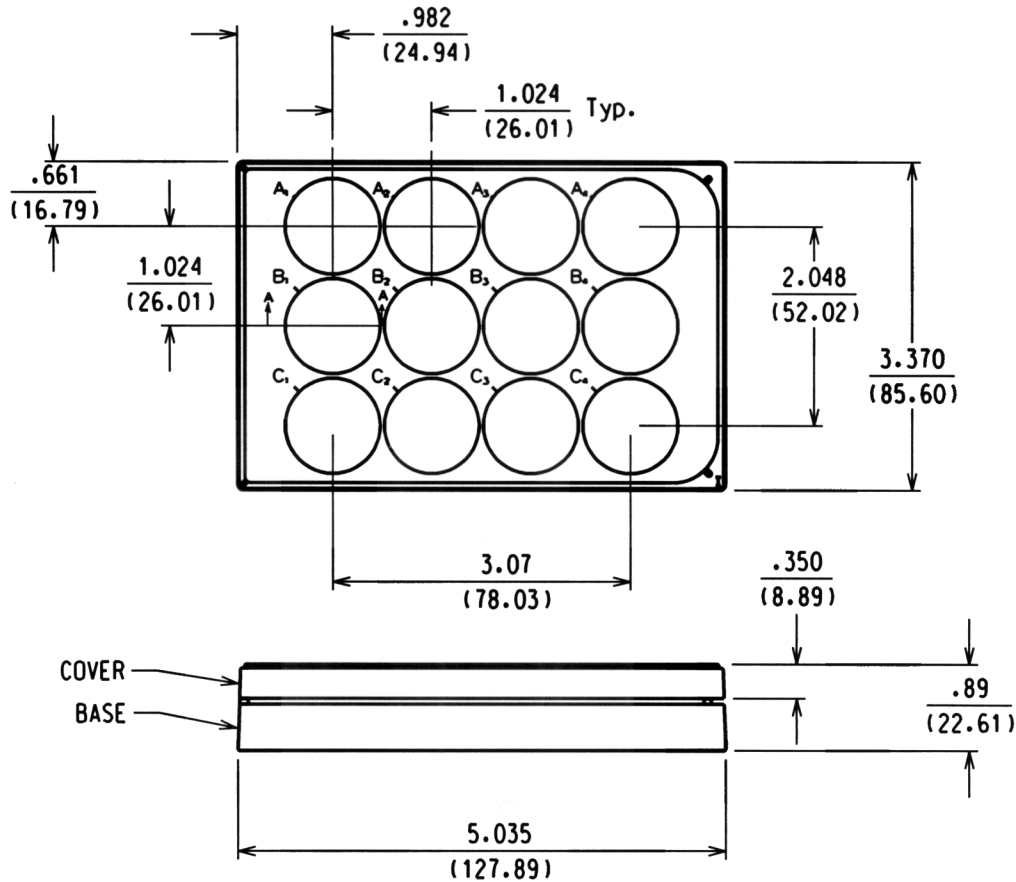


SECTION A-A
TYP. 12 PLCS

Top view shown without cover

NOTE:

1. Dimensions in parentheses are in millimeters.
2. Refer to product description for additional product information.



COSTAR® is a registered trademark of Corning Incorporated

PROD CODE:144

Corning Incorporated
Science Products Division
45 Nagog Park
Acton, MA 01720

Tolerances: Unless
otherwise specified
dimensions are nominal
for reference only

Drawn CBL Date 10/03/96
Chkd LEP 08/15/97
Matl SEE PROD DESCRIPTION
Customer Spec. Sht. 1 of 1

COSTAR®
12 WELL PLATE
WITH COVER
DWG00674 Rev B